

**INSTALLATION INSTRUCTIONS (SEE FIG. 1)**

**1. PREPARE DOOR JAMB/STILE PER APPLICABLE DRAWING.**

**FOR METAL (USING MOUNTING CLIPS):**

A. INSTALL MOUNTING CLIPS TO JAMB/STILE USING 8-32 X 5/8" FLAT HEAD MACHINE SCREWS AND 8-32 KEPS NUTS. LEAVE SCREWS/ NUTS SLIGHTLY LOOSE TO ALLOW EASIER ALIGNMENT OF CLIPS WITH STRIKE FACE PLATE HOLES.

B. TEST FIT STRIKE ASSY TO JAMB/STILE AFTER PREP.

**NOTE:** USE PROVIDED SPACERS AS REQUIRED TO ENSURE FLUSH MOUNTING OF STRIKE FACE PLATE WITH SURFACE AT OPENING IN JAMB/STILE.

- a. WHEN FACE PLATE EXTENDS BEYOND THE JAMB/STILE, ADD SPACER(S) BETWEEN INSIDE WALL OF JAMB/STILE AND MOUNTING CLIP.
- b. WHEN FACE PLATE SETS INSIDE THE JAMB/STILE, ADD SPACERS BETWEEN THE STRIKE FACE PLATE AND MOUNTING CLIP.

TO USE SPACERS, REMOVE PROTECTIVE COATING AND ADHESIVE BACKING FROM SPACER, CENTER OVER DESIRED HOLE AND SURFACE IN MOUNTING CLIP, THEN PRESS AND HOLD TO AFFIX.

**2. PREPARE STRIKE FOR INSTALL:**

A. ATTACH SUBCOVER AND FACEPLATE TO THE STRIKE ASSEMBLY USING THE TWO PROVIDED 8-32 X 1/4" FLAT HEAD MACHINE SCREWS.

B. USING PROVIDED WIRE NUTS, CONNECT STRIKE WIRES TO POWER SUPPLY (LOW VOLTAGE SIDE OF TRANSFORMER – SEE SHEET 2 FOR SCHEMATIC).

**3. INSTALL STRIKE:**

**FOR METAL:**

A. INSERT STRIKE INTO PREP AND ATTACH USING TWO PROVIDED 12-24 X 1/2" FLAT HEAD MACHINE SCREWS.

B. FULLY TIGHTEN THE 8-32 X 5/8" FLAT HEAD MACHINE SCREWS TO SECURE THE MOUNTING CLIPS TO THE JAMB/STILE.

**FOR WOOD:**

A. INSERT STRIKE INTO PREP AND ATTACH USING THE TWO PROVIDED #12 X 1-1/4" FLAT HEAD WOOD SCREWS.

STATIC STRENGTH	DYNAMIC STRENGTH	PRELOAD	ENDURANCE
1500 LBS	70 FT-LB FORCE	25 LBS	500,000 CYCLES

**7400 ALUMINUM DOOR JAMBS**

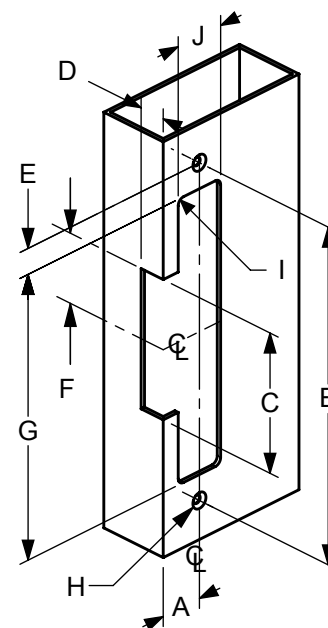
MEASUREMENT	FRACTIONAL INCHES	DECIMAL INCHES
DOOR CENTERLINE TO JAMB EDGE		
A	6 1/8	6.125
B	3 3/8	3.375
C	21/32	.656
D	5/8	.625
E	1 11/16	1.688
F	4 7/8	4.875
G	8-32	
H	5/32	.156
I	1 1/4	1.250

**7410 ALUMINUM JAMBS**

MEASUREMENT	FRACTIONAL INCHES	DECIMAL INCHES
DOOR CENTERLINE TO JAMB EDGE		
A	9 3/16	9.1875
B	3 3/8	3.375
C	21/32	.656
D	5/8	.625
E	1 11/16	1.688
F	7 31/32	7.969
G	12-24	
H	5/32	.156
I	1 7/16	1.4375

**7430 ALUMINUM DOOR JAMBS**

MEASUREMENT	FRACTIONAL INCHES	DECIMAL INCHES
DOOR CENTERLINE TO JAMB EDGE		
A	8 1/8	8.125
B	3 3/8	3.375
C	21/32	.651
D	5/8	.625
E	1 11/16	1.688
F	6 7/8	6.875
G	8-32	
H	5/32	.156
I	1 1/4	1.250

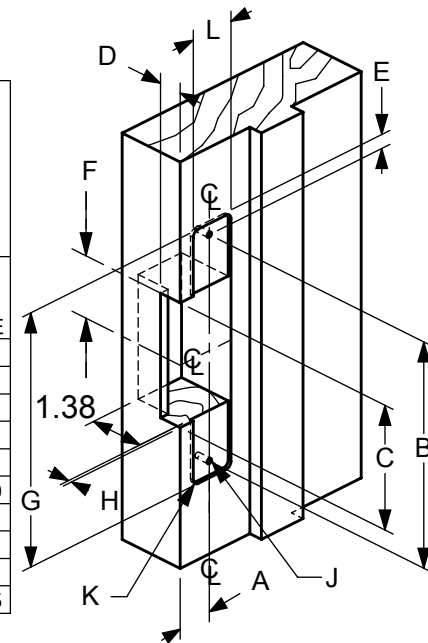


**7410 WOOD JAMBS**

MEASUREMENT	FRACTIONAL INCHES	DECIMAL INCHES
DOOR CENTERLINE TO JAMB EDGE		
A	7 7/16	7.4375
B	3 3/8	3.375
C	21/32	.656
D	1/4	.250
E	1 7/16	1.4375
F	7 15/16	7.9375
G	3/32	.09375
H	12-24	
I	5/32	.156
J	1 7/16	1.4375

**7411 WOOD JAMBS**

MEASUREMENT	FRACTIONAL INCHES	DECIMAL INCHES
DOOR CENTERLINE TO JAMB EDGE		
A	9 29/64	9.453
B	3 3/8	3.375
C	21/32	.656
D	3/8	.375
E	1 11/16	1.688
F	10 1/4	10.250
G	1/8	.125
H	5/32	.156
I	1 7/16	1.4375

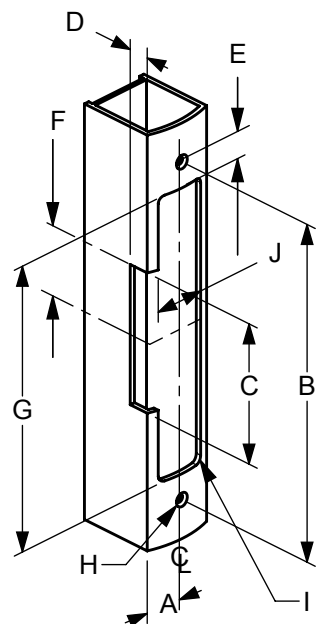


**7401 ALUMINUM STILE**

MEASUREMENT	FRACTIONAL INCHES	DECIMAL INCHES
DOOR CENTERLINE TO JAMB EDGE		
A	6 1/8	6.125
B	3 3/8	3.375
C	21/32	.656
D	5/8	.625
E	1 11/16	1.6875
F	4 7/8	4.875
G	8-32	
H	5/32	.156
I	1 1/4	1.25

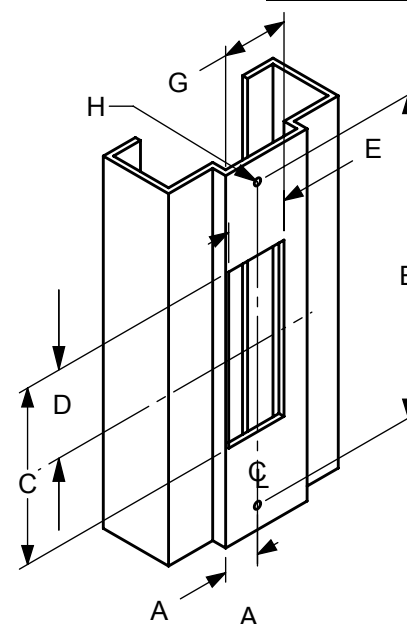
**7431 ALUMINUM STILE**

MEASUREMENT	FRACTIONAL INCHES	DECIMAL INCHES
DOOR CENTERLINE TO JAMB EDGE		
A	8 1/8	8.125
B	3 3/8	3.375
C	21/32	.656
D	5/8	.625
E	1 11/16	1.6875
F	6 7/8	6.875
G	8-32	
H	5/32	.156
I	1 1/4	1.25



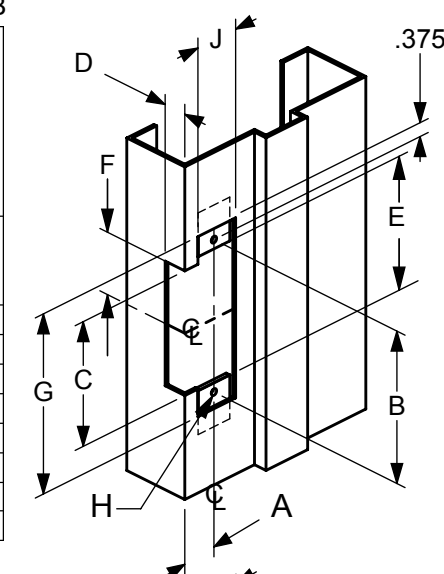
**74R1 STRIKE**

MEASUREMENT	FRACTIONAL INCHES	DECIMAL INCHES
A	15/16	.9375
B	8 1/4	8.250
C	4 1/2	4.500
D	2 1/4	2.250
E	1 5/8	1.625
G	1 23/32	1.719
H	Ø 3/16	



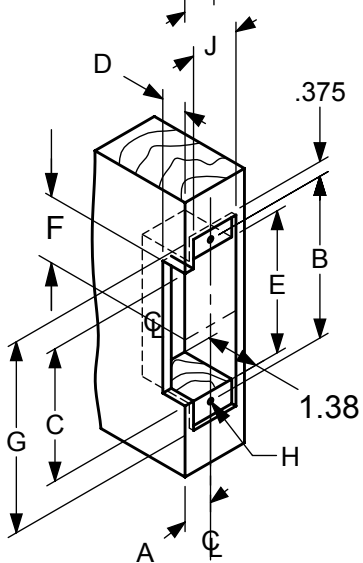
**7440 METAL JAMB**

MEASUREMENT	FRACTIONAL INCHES	DECIMAL INCHES
DOOR CENTERLINE TO JAMB EDGE		
A	4 1/8	4.125
B	3 3/8	3.375
C	21/32	.656
D	3 5/8	3.625
E	1 11/16	1.6875
F	4 7/8	4.875
G	8-32	
H	1 1/4	1.25

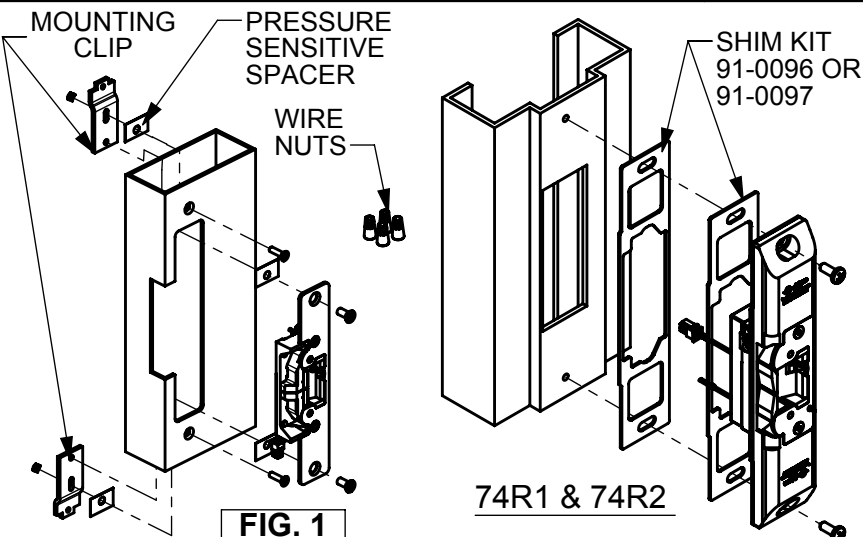


**7440 WOOD DOOR\***

MEASUREMENT	FRACTIONAL INCHES	DECIMAL INCHES
DOOR CENTERLINE TO JAMB EDGE		
A	4 1/8	4.125
B	3 3/8	3.375
C	1 23/32	1.718
D	3 5/8	3.625
E	1 11/16	1.6875
F	4 7/8	4.875
G	8-32	
H	1 1/4	1.25



\* REQUIRES WDC7400



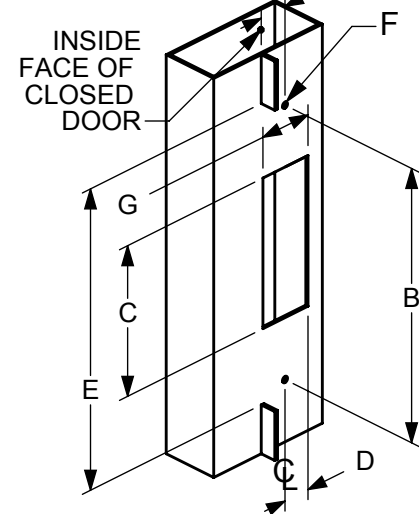
**FOR EXTENDED LIP: (DIM "A" DOOR TO JAMB EDGE)**

DASH NO.	DIM "A"	DASH NO.	DIM "A"
NONE	1.06	-08	2.38
-01	1.50	-09	2.50
-02	1.63	-10	2.63
-03	1.75	-11	2.75
-04	1.88	-12	2.88
-05	2.00	-13	3.00
-06	2.13		
-07	2.25		

**PRODUCT MUST BE INSTALLED ACCORDING TO ALL APPLICABLE BUILDING AND LIFE SAFETY CODES**

**74R2 METAL JAMB**

MEASUREMENT	FRACTIONAL INCHES	DECIMAL INCHES
A	7/8	.875
B	8 1/4	8.25
C	4 1/2	4.50
D	21/32	.656
E	9 1/16	9.063
F	8-32	
G	1 5/8	1.625



www.adamsrite.com  
Phone: 800-872-3267

**7400 ELECTRIC STRIKE**

80-0180-309

Rev. 14

CR: 00994

Date: 05-30-19

**INSTALLATION INSTRUCTIONS**

Page 1 of 2 Appvd: LC Date: 05-30-19



Fax: 800-232-7329

**NOTES:**

**FAIL-SECURE OPERATION ( AS SHIPPED)**  
UNLOCKS WHEN ENERGIZED. IF POWER FAILS, THE STRIKE REMAINS IN LOCKED POSITION.

**FAIL-SAFE OPERATION (FIELD SELECTABLE)**  
LOCKS WHEN ENERGIZED. USED IN APPLICATIONS REQUIRING AUTOMATIC UNLOCKING IN CASE OF POWER FAILURE.

**AVAILABLE VOLTAGES**  
12V DC CONTINUOUS DUTY,  
\*16V DC CONTINUOUS DUTY,  
24V DC CONTINUOUS DUTY.

(\* REQUIRES 16 VOLT ADAPTOR )

**WIRING**

THE NUMBER OF WIRES WILL VARY DEPENDING ON FEATURES OF THE STRIKE. THE VOLTAGE AND AMPERAGE RATINGS ARE MARKED ON ALL STRIKE LABELS. THE SOLENOID WIRES ARE NOT POLARIZED.

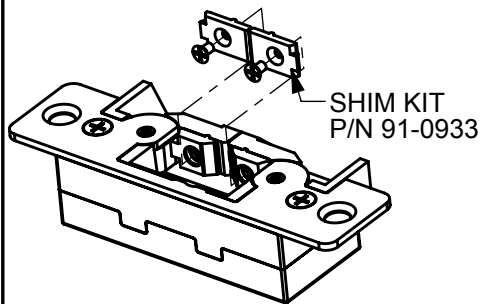
**MONITORING (OPTIONAL)**

MONITORED STRIKES CONTAIN TWO, INTERNALLY MOUNTED, SWITCHES: ONE IS ACTIVATED BY THE LATCH BOLT'S PENETRATION OF THE STRIKE AND THE OTHER INDICATES THE ENERGIZED LOCK/UNLOCKED STATUS OF THE SOLENOID.

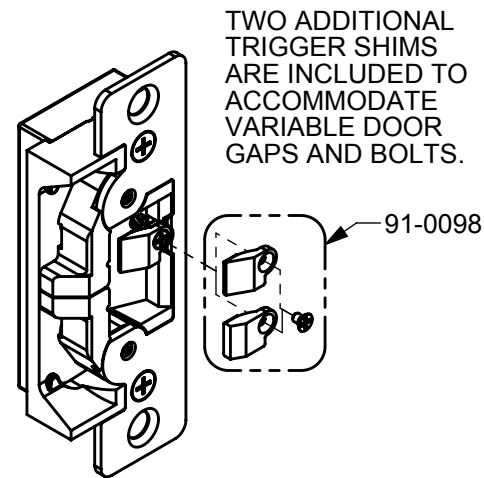
ALL UNUSED LEADS FROM MONITOR SWITCHES SHOULD BE INSULATED.

- COMMON CONTACT - BLACK
- NORMALLY OPEN CONTACT (NO) - WHITE
- NORMALLY CLOSED CONTACT (NC) - RED
- MAXIMUM SWITCHING CURRENT - 500 mA @ 30 VDC

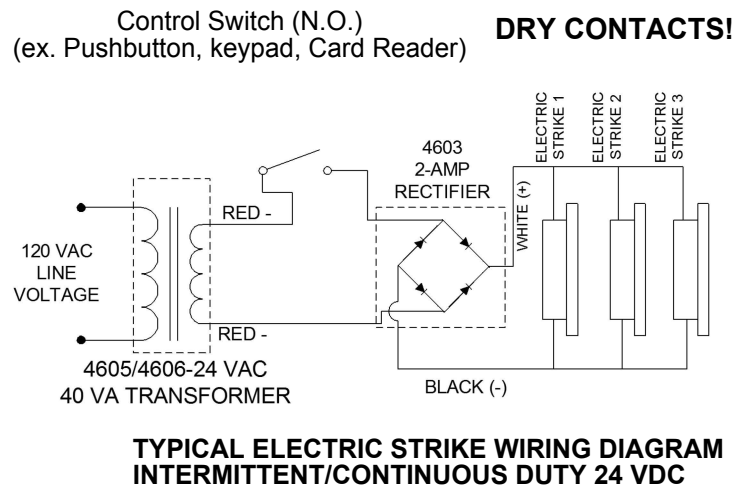
SHIM PLATES ARE PRE-INSTALLED AT THE FACTORY. A THINNER SET OF SHIMS IS ALSO INCLUDED. IF NECESSARY, THE SHIMS CAN BE REMOVED ALTOGETHER TO CORRECT MISALIGNMENTS BETWEEN STRIKE AND LATCH.



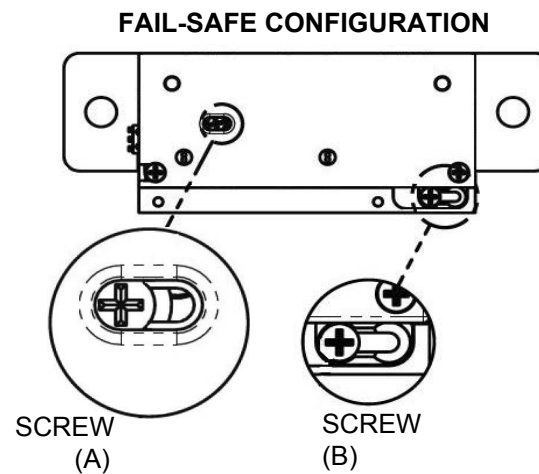
**MONITORED VERSION ONLY**



CURRENT DRAW	
VOLTS	mA
12 DC	440
24 DC	230
16 DC	458

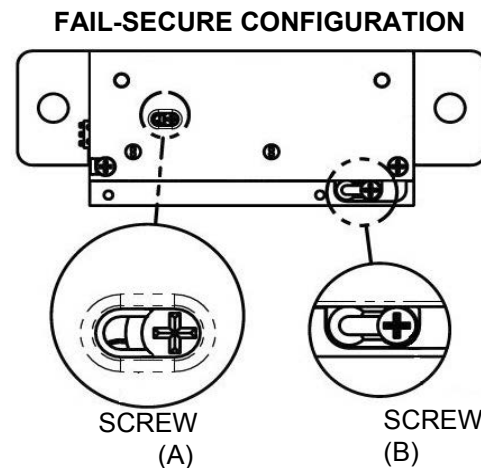


**FIELD REVERSIBLE (FAIL-SECURE) TO FAIL-SAFE**



- FAIL-SECURE TO FAIL-SAFE**
- STEP 1** LOOSEN SCREW (A) (2 TURNS ONLY!) SHIFT TO LEFT & TIGHTEN.
- STEP 2** LOOSEN SCREW (B) (2 TURNS ONLY!) SHIFT LOWER PLATE TO RIGHT & TIGHTEN.

**FIELD REVERSIBLE (FAIL-SAFE) TO FAIL-SECURE**

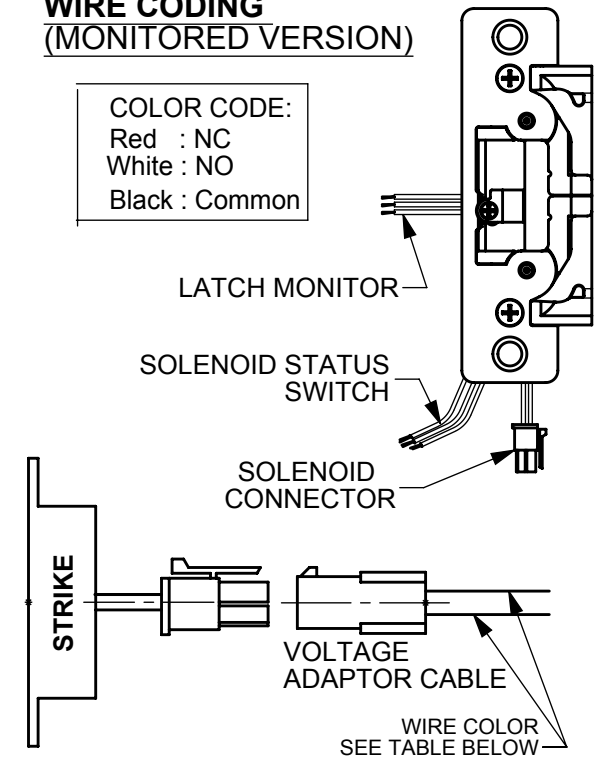


- FAIL-SAFE TO FAIL-SECURE**
- STEP 1** LOOSEN SCREW (B) (2 TURNS ONLY!) SHIFT LOWER PLATE TO LEFT & TIGHTEN.
- STEP 2** LOOSEN SCREW (A) (2 TURNS ONLY!) SHIFT TO RIGHT & TIGHTEN.

**PRODUCT MUST BE INSTALLED**  
**ACCORDING TO ALL APPLICABLE**  
**BUILDING AND LIFE SAFETY CODES**

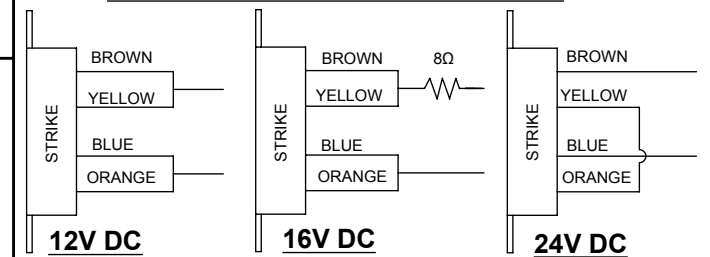
**WIRE CODING**  
(MONITORED VERSION)

COLOR CODE:  
Red : NC  
White : NO  
Black : Common



VOLTAGE ADAPTOR CABLE		
PART NO.	WIRE COLOR	APPLICATION
VA7400-12	BLACK	12VDC
VA7400-24	RED	24VDC
VA7400-16VDC (OPTIONAL KIT)	WHITE	16VDC

**SOLENOID WIRING DIAGRAM**



**FOR WOOD DOOR APPLICATIONS**

THE SPACER IS DESIGNED TO SIMPLIFY MORTISING ON WOOD DOOR APPLICATIONS

